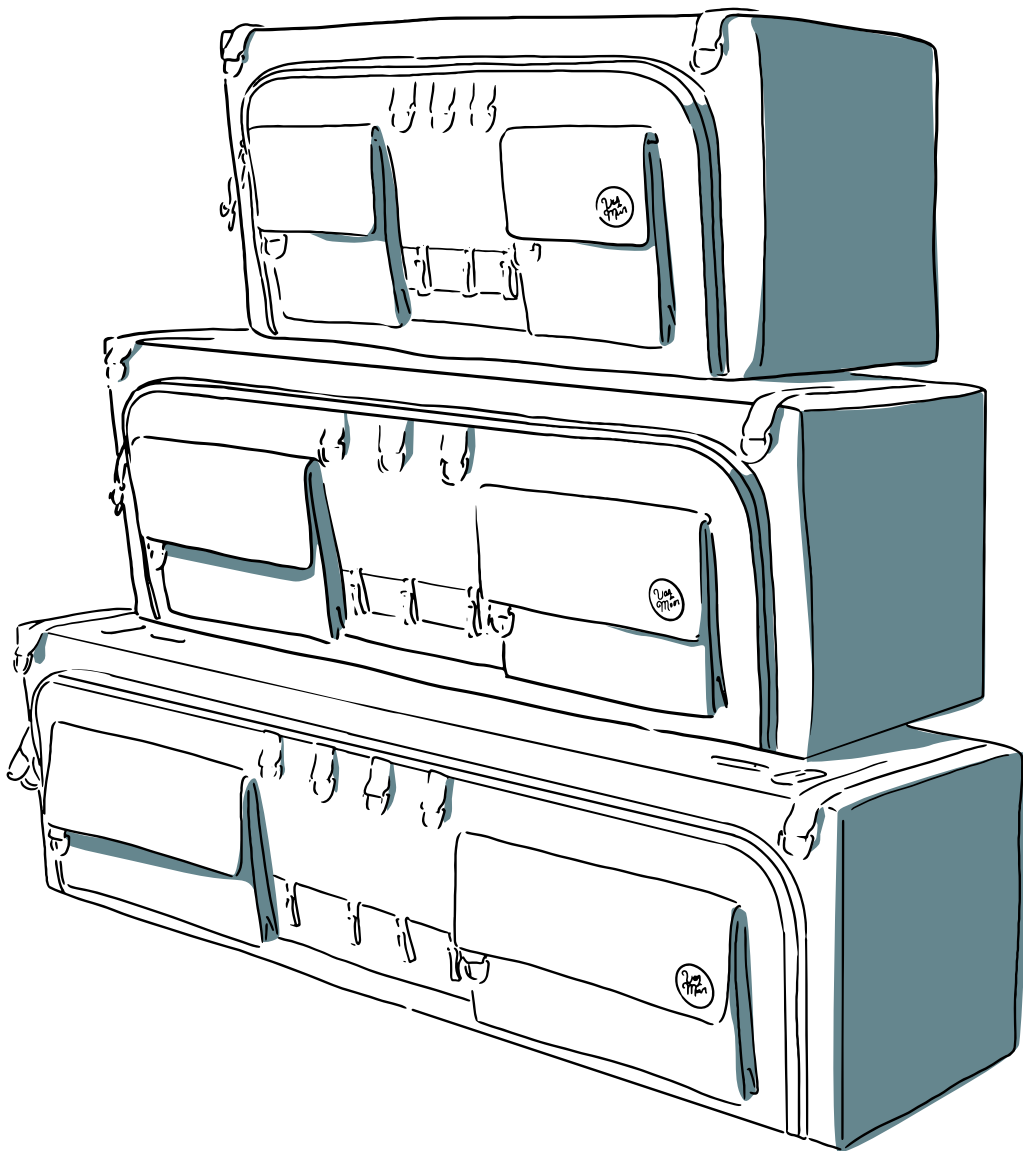

MOONBOX

Product card





Since 1993, Vitberg has been producing medical devices for rehabilitation, treatment, cosmetology and sports.

Its products are known and appreciated. Medicine and technology are not our only passion, we also love exploring the world.

We have translated the experience gained over the years into the production of accessories for people like us. This is how the Van Der Moon brand was born.

General information

The construction of the Moon Box is made of high-quality aluminum and special, super-strong and ultra-light polypropylene chamber plates. The boards are resistant to temperatures, water, oils and chemicals. The connections are riveted and screwed and additionally reinforced with a layer of glue, thanks to which the structure becomes even more durable and resistant to any vibrations. The Moon Box construction is covered with an additional 0.5 cm foam coating, and the corners of the structure are reinforced to avoid any damage during possible mechanical operation. Depending on the size, the Moon Box has 2 shelves (Moon Box 50 and 70 cm) or 4 shelves (Moon Box 95 and 115 cm). The size of the shelves allows for easy storage of assortment of various sizes. In sizes 95 and 115, the space of the shelves is divided in half to strengthen the load capacity of the shelf and to divide the storage space. In the inner part of the Moon Box there are holders for mounting protective nets (Moon Safety) - these catches are made of aluminum sheet and painted with powder varnish. The Moon Box is trimmed with a durable technical fabric. The material is characterized by durability and high resistance to abrasion, tearing and mechanical actions, it is light and relatively stiff. It is made of polyester fibers that slightly absorb water, but thanks to the PVC-coated bottom layer, the fabric is waterproof. There are mounting holes on the structure, finished with plates specially designed for this purpose. The upper part of the cover is equipped with a handle for convenient carrying of the Moon Box.

Compatible car models:

Car brand	Model	Version	MOONBOX	ANGLE
Mercedes	Sprinter 901		●	110°
	Sprinter 902		●	110°
	Sprinter 904	until 2006	●	110°
	Sprinter 906		●	110°
	Sprinter 907		●	110°
Volkswagen	Crafter I	2007-2016	●	110°
	Crafter II	H3, since 2016	●	100°
	LT	until 2016	●	110°
	Transporter T5	to adapt	×	110°
	Transporter T6	to adapt	×	110°
	Transporter T6.1	to adapt	×	110°
Ford	Transit MK7	H2, until 2013	●	110°
	Transit MK8	H2, H3, ver VI since 2013	●	108°
Man	TGE	H3, since 2017	●	100°
Ram	Promaster	H2, since 2013	●	103°
Fiat	Ducato	ver III since 2006	●	103°
Citroen	Jumer	ver II since 2006	●	103°
Peugeot	Boxer	ver II since 2006	●	103°

× Adaptable - the product fits the car model, but you decide how to mount it yourself. We're working on that too.

Weights and measures converter
 1 mm 0,04 in
 1 kg 2,20 lb
 1 l 0,26 gal

MOONBOX

Standard i Adventure

MoonBox are suspended cabinets for a campervan with a quick fastening system. The hard structure has been covered with shock-absorbing foam. The aluminum frame and specialized chamber plates guarantee great durability in a lightweight version. Internal shelves allow in keeping clothes and accessories in order, and the external system of pockets and clips will help to attach things that are always to be at hand. MoonBox in the largest version can hold up to 124 liters of necessary camping accessories.



Lightweight design



Waterproof material



Armored construction



Hard frame protected with foam



Easy **cleaning**



Top quality



MoonFix

That is a quick assembly system with comfortable butterflies.



Quick montage

Assembly and disassembly takes a few minutes. You can turn your van into a campervan whenever you feel the call of adventure!



MoonBox Standard



MoonBox Standard 50

Size: 350x300x500 mm
Weight: 4,5 kg
Capacity: 64 l

Available colours:



MoonBox Standard 70

Size: 350x300x700 mm
Weight: 6,0 kg
Capacity: 90 l

Available colours:



MoonBox Standard 90

Size: 350x300x900 mm
Weight: 7,5 kg
Capacity: 118 l

Available colours:



MoonBox Standard 115

Size: 350x300x1150 mm
Weight: 9 kg
Capacity: 150 l

Available colours:



MoonBox Adventure



MoonBox Adventure 50

Size: 350x300x500 mm
Weight: 4,5 kg
Capacity: 64 l

Available colours:



MoonBox Adventure 70

Size: 350x300x700 mm
Weight: 6,0 kg
Capacity: 90 l

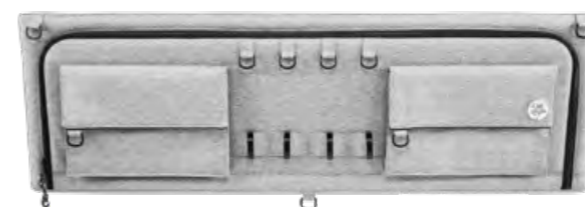
Available colours:



MoonBox Adventure 90

Size: 350x300x900 mm
Weight: 7,5 kg
Capacity: 118 l

Available colours:



MoonBox Adventure 115

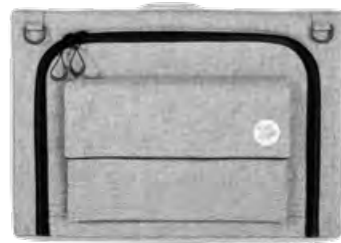
Size: 350x300x1150 mm
Weight: 9 kg
Capacity: 150 l

Available colours:



MoonBox 50

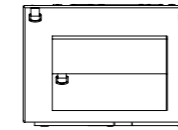
Standard



Adventure

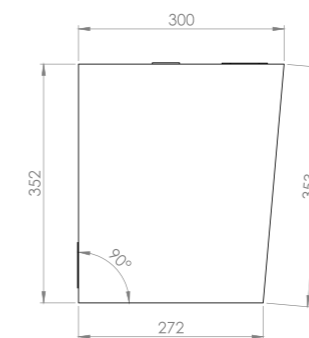
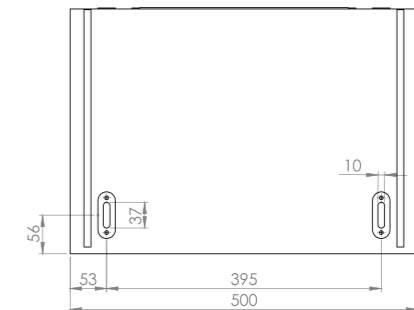
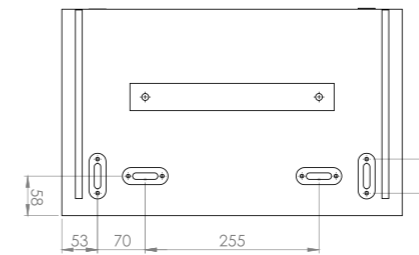


MoonBox 50 angle 90°

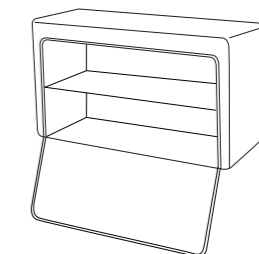


MOON BOX ADVENTURE 50

Box volume: 51 l
Pocket volume: 12,75 l
Total volume: 63,75 l
Weight: 4,21 kg

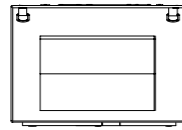


Maximum self load



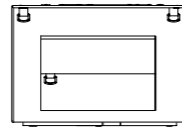
5 KG
9 KG

MoonBox 50 angle 100°



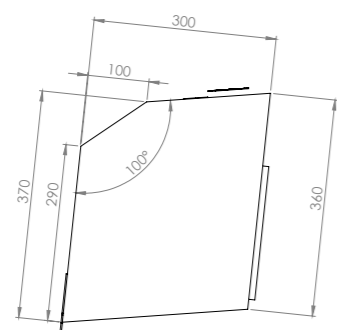
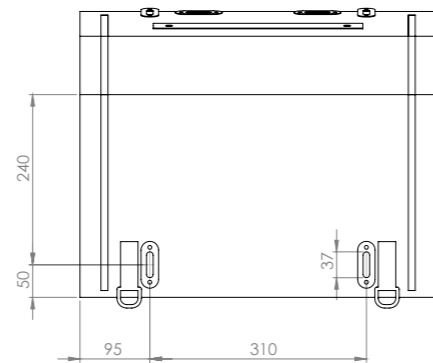
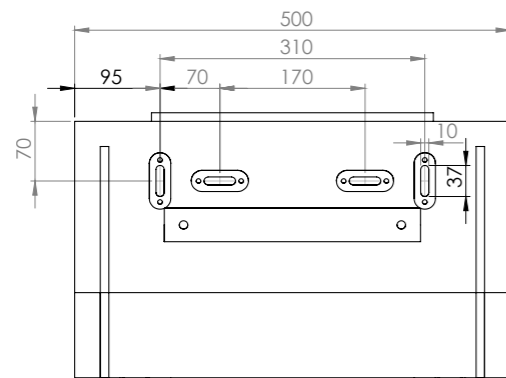
MOON BOX STANDARD 50

Box volume: 51 l
 Pocket volume: 12,75 l
 Total volume: 63,75 l
 Weight: 4,52 kg

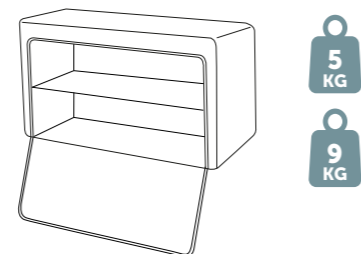


MOON BOX ADVENTURE 50

Box volume: 51 l
 Pocket volume: 12,75 l
 Total volume: 63,75 l
 Weight: 4,13 kg



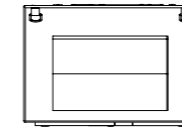
Maximum self load



Compatible car models:

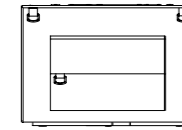
MAN TGE since 2017
 Volkswagen Crafter ver II since 2016 H2, H3

MoonBox 50 angle 103°



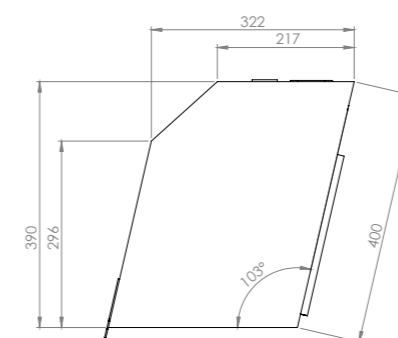
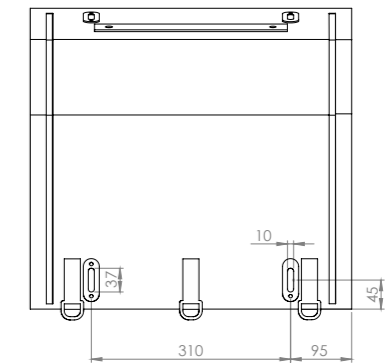
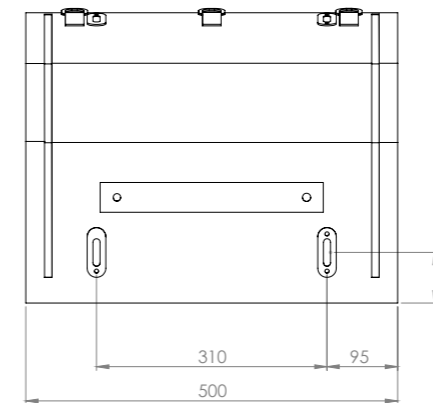
MOON BOX STANDARD 50

Box volume: 54 l
 Pocket volume: 13,5 l
 Total volume: 67,5 l
 Weight: 4,52 kg

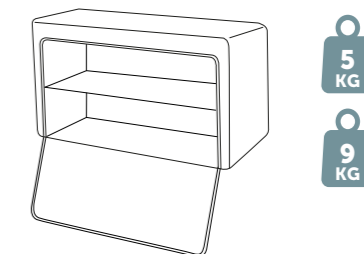


MOON BOX ADVENTURE 50

Box volume: 54 l
 Pocket volume: 13,5 l
 Total volume: 67,5 l
 Weight: 4,96 kg



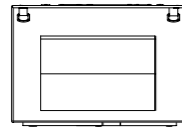
Maximum self load



Compatible car models:

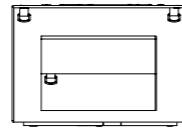
RAM ProMaster (since 2013)
 Fiat Ducato version III (since 2006)
 Citroen Jumper version II (since 2006)
 Peugeot Boxer version II (since 2006)

MoonBox 50 angle 108°



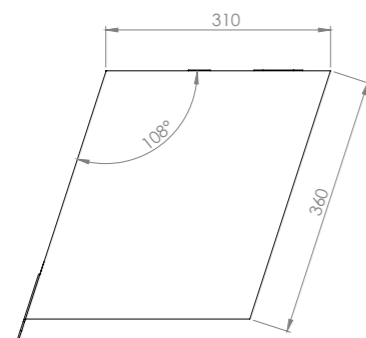
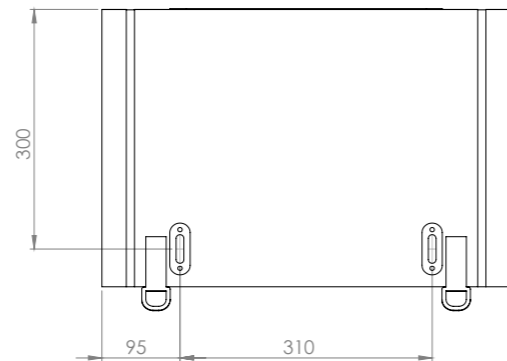
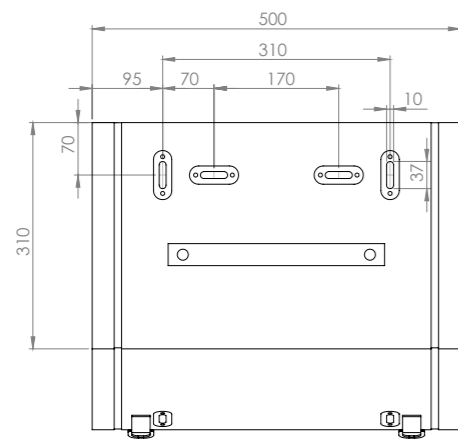
MOON BOX STANDARD 50

Box volume: 54 l
 Pocket volume: 13,5 l
 Total volume: 67,5 l
 Weight: 4,85 kg

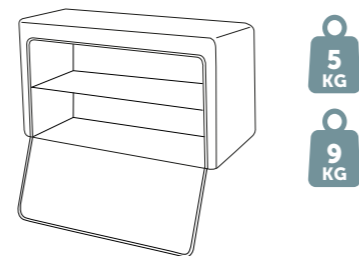


MOON BOX ADVENTURE 50

Box volume: 54 l
 Pocket volume: 13,5 l
 Total volume: 67,5 l
 Weight: 4,37 kg



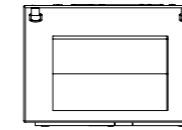
Maximum self load



Compatible car models:

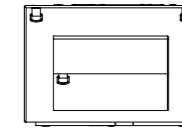
Ford Transit MK8 H2, H3, R/AWD, FWD (since 2013)

MoonBox 50 angle 110°



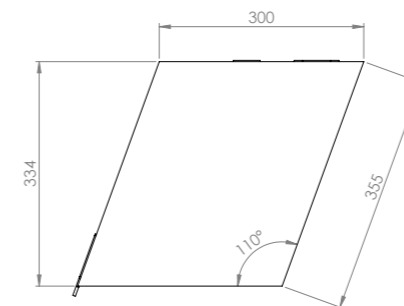
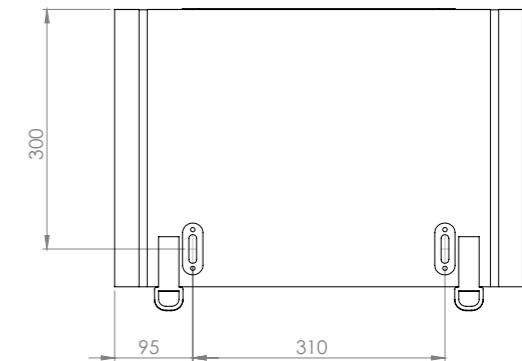
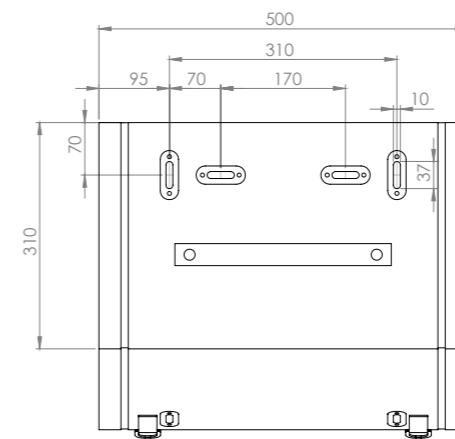
MOON BOX STANDARD 50

Box volume: 51 l
 Pocket volume: 12,75 l
 Total volume: 63,75 l
 Weight: 4,85 kg

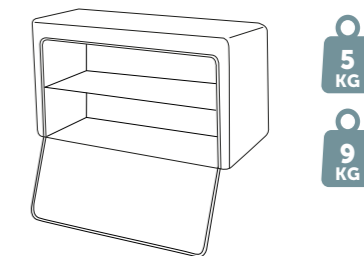


MOON BOX ADVENTURE 50

Box volume: 51 l
 Pocket volume: 12,75 l
 Total volume: 63,75 l
 Weight: 4,47 kg



Maximum self load

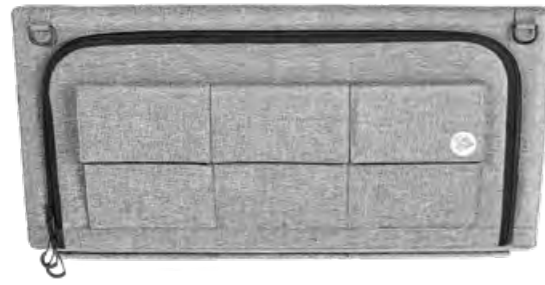


Compatible car models:

Mercedes Sprinter 901
 Mercedes Sprinter 902
 Mercedes Sprinter 904 (until 2006)
 Mercedes Sprinter 906
 Mercedes Sprinter 907
 Volkswagen Crafter (2007-2016)
 Volkswagen LT (since 2016)
 Volkswagen Transporter T5, T6, T6.1 to adapt

MoonBox 70

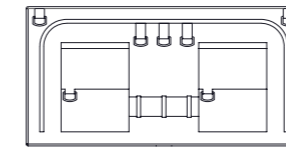
Standard



Adventure

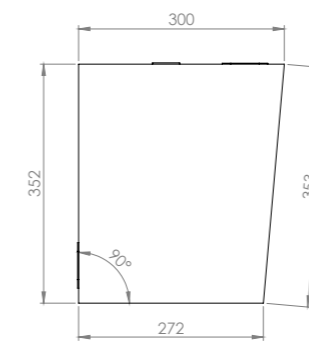
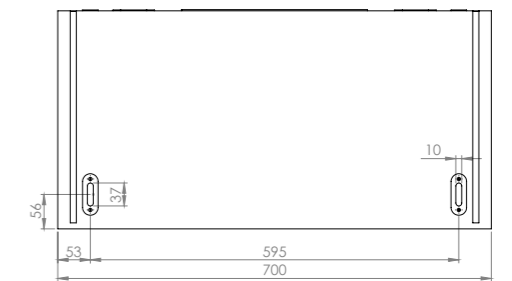
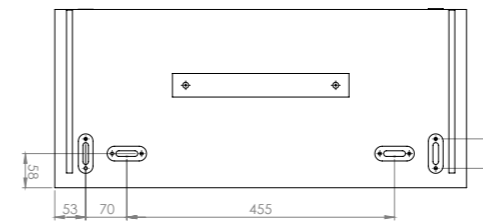


MoonBox 70 angle 90°

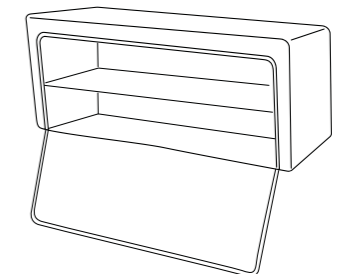


MOON BOX ADVENTURE 70

Box volume: 71 l
Pocket volume: 17,75 l
Total volume: 88,75 l
Weight: 5,51 kg



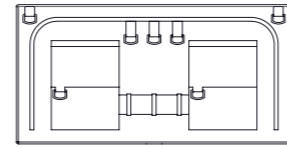
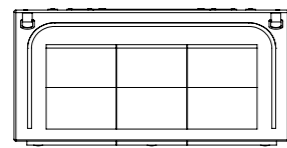
Maximum self load



5 KG

12 KG

MoonBox 70 angle 100°

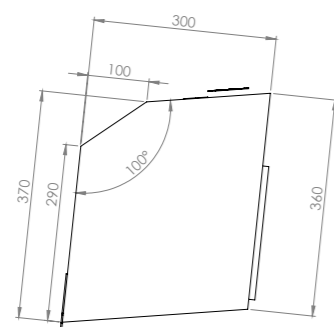
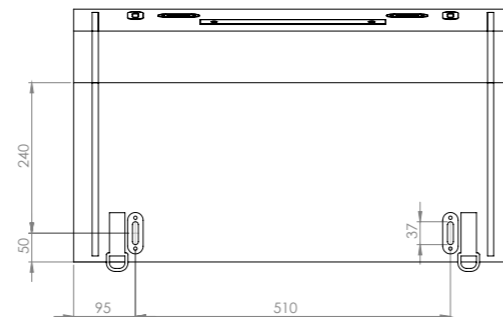
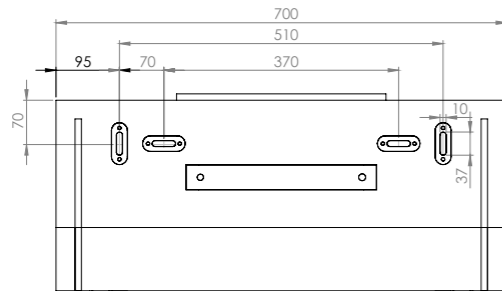


MOON BOX STANDARD 70

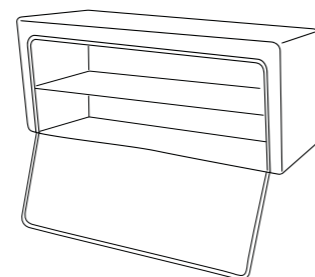
MOON BOX ADVENTURE 70

Box volume: 71 l
 Pocket volume: 17,75 l
 Total volume: 88,75 l
 Weight: 5,78 kg

Box volume: 71 l
 Pocket volume: 17,75 l
 Total volume: 88,75 l
 Weight: 5,23 kg



Maximum self load

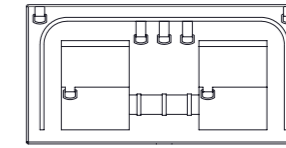
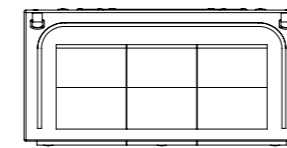


5 KG
 12 KG

Compatible car models:

MAN TGE since 2017
 Volkswagen Crafter ver II since 2016, H2, H3

MoonBox 70 angle 103°

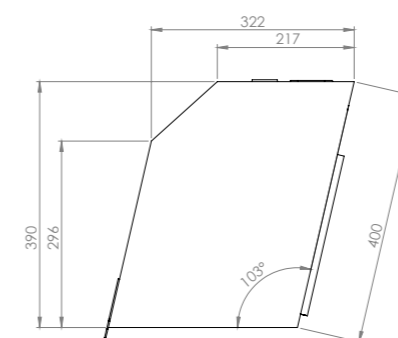
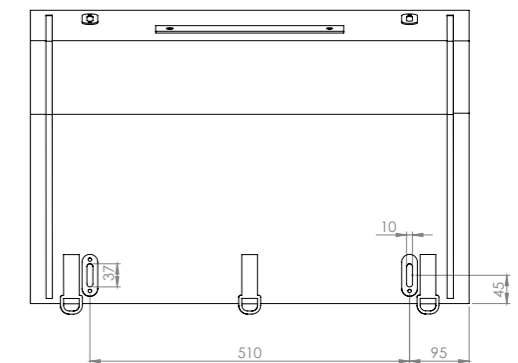
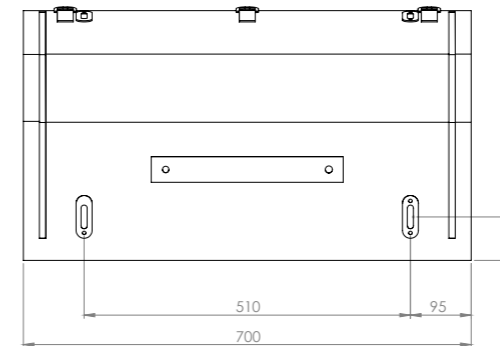


MOON BOX STANDARD 70

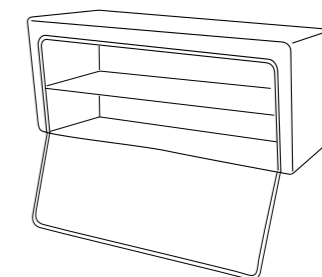
MOON BOX ADVENTURE 70

Box volume: 74 l
 Pocket volume: 18,5 l
 Total volume: 92,5 l
 Weight: 5,78 kg

Box volume: 74 l
 Pocket volume: 18,5 l
 Total volume: 92,5 l
 Weight: 6,22 kg



Maximum self load

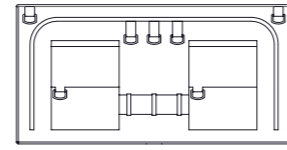
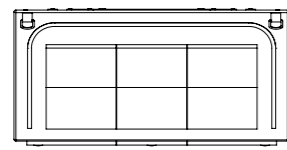


5 KG
 12 KG

Compatible car models:

RAM ProMaster (since 2013)
 Fiat Ducato version III (since 2006)
 Citroen Jumper version II (since 2006)
 Peugeot Boxer version II (since 2006)

MoonBox 70 angle 108°

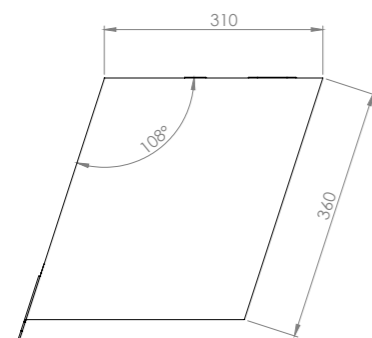
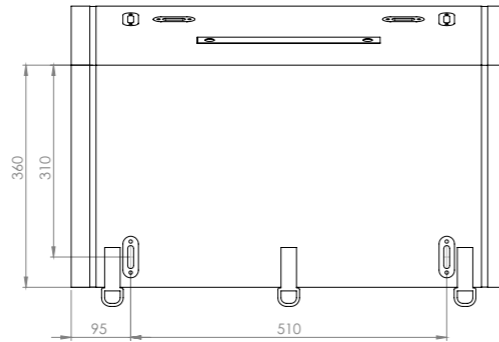
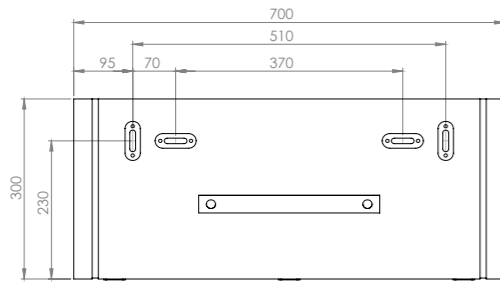


MOON BOX STANDARD 70

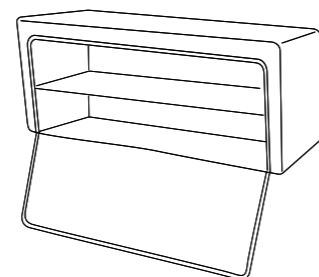
MOON BOX ADVENTURE 70

Box volume: 74 l
 Pocket volume: 18,5 l
 Total volume: 92,5 l
 Weight: 6,09 kg

Box volume: 74 l
 Pocket volume: 18,5 l
 Total volume: 92,5 l
 Weight: 5,56 kg



Maximum self load

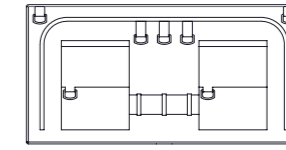
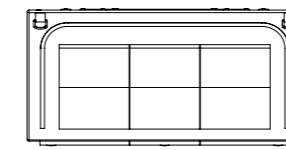


5 KG
 12 KG

Compatible car models:

Ford Transit MK8 H2, H3, R/AWD, FWD (since 2013)

MoonBox 70 angle 110°

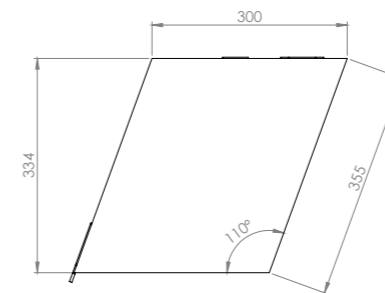
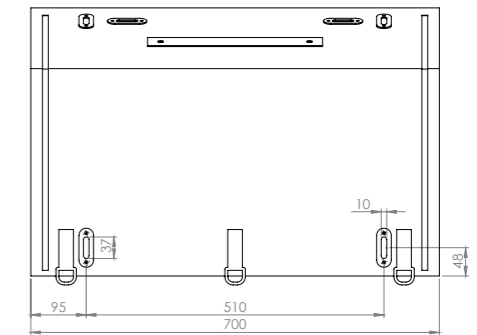
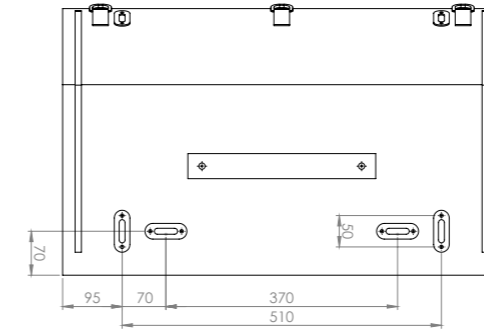


MOON BOX STANDARD 70

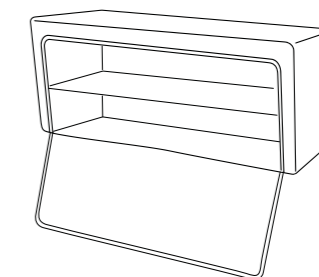
MOON BOX ADVENTURE 70

Box volume: 71 l
 Pocket volume: 17,75 l
 Total volume: 88,75 l
 Weight: 5,99 kg

Box volume: 71 l
 Pocket volume: 17,75 l
 Total volume: 88,75 l
 Weight: 5,67 kg



Maximum self load



5 KG
 12 KG

Compatible car models:

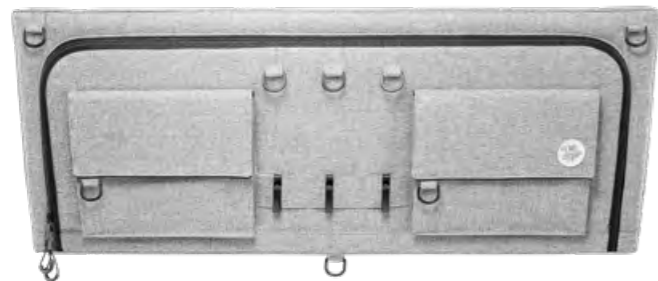
Mercedes Sprinter 901
 Mercedes Sprinter 902
 Mercedes Sprinter 904 (until 2006)
 Mercedes Sprinter 906
 Mercedes Sprinter 907
 Volkswagen Crafter (2007-2016)
 Volkswagen LT (since 2016)
 Volkswagen Transporter T5, T6, T6.1 to adapt

MoonBox 90

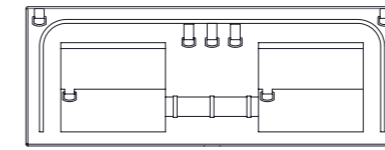
Standard



Adventure

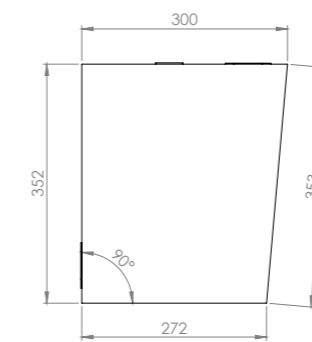
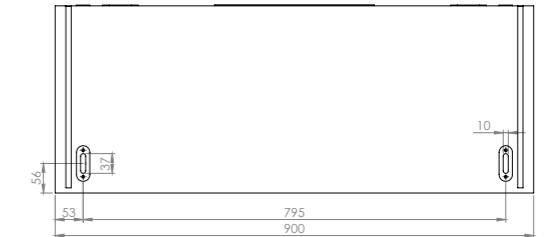
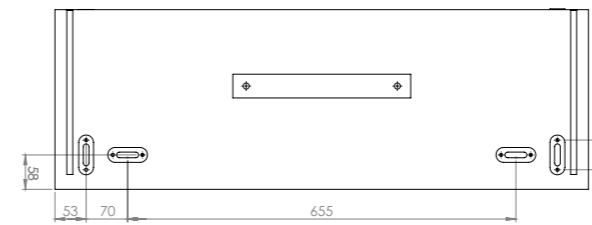


MoonBox 90 angle 90°

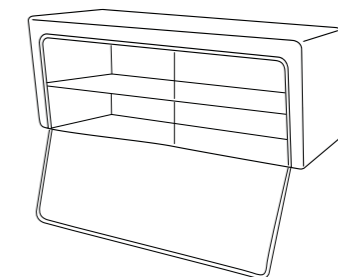


MOON BOX ADVENTURE 90

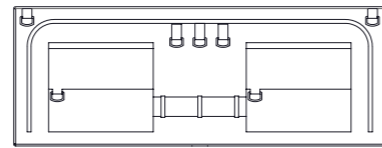
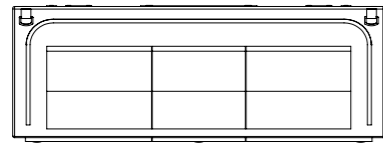
Box volume: 91 l
Pocket volume: 22,75 l
Total volume: 113,75 l
Weight: 6,39 kg



Maximum self load



MoonBox 90 angle 100°

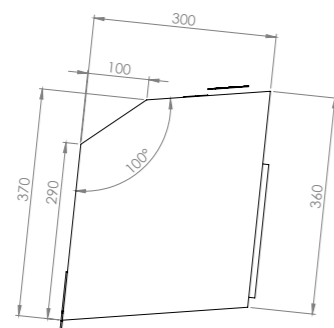
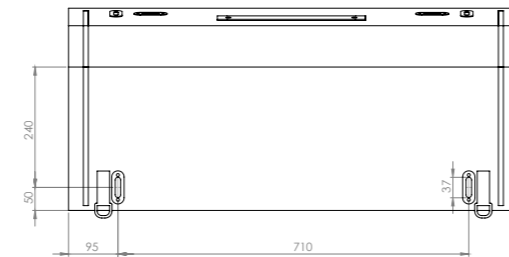
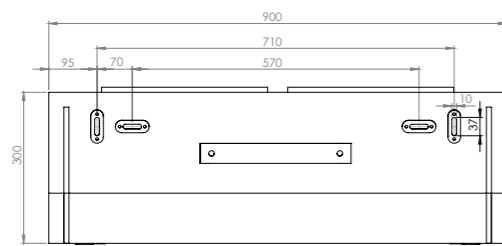


MOON BOX STANDARD 90

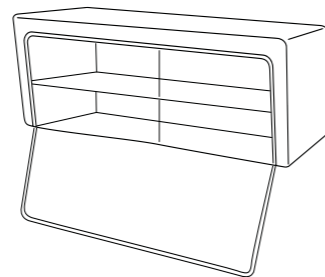
MOON BOX ADVENTURE 90

Box volume: 91 l
 Pocket volume: 22,75 l
 Total volume: 113,75 l
 Weight: 7,16 kg

Box volume: 91 l
 Pocket volume: 22,75 l
 Total volume: 113,75 l
 Weight: 6,69 kg



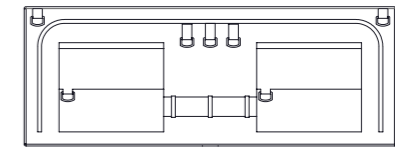
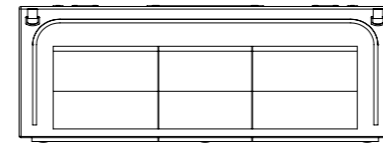
Maximum self load



Compatible car models:

MAN TGE since 2017
 Volkswagen Crafter ver II since 2016, H2, H3

MoonBox 90 angle 103°

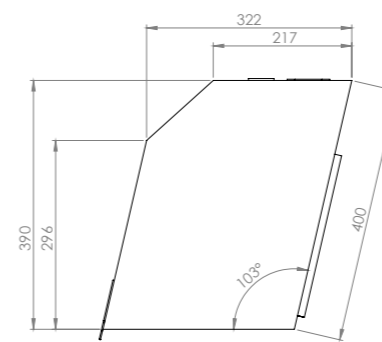
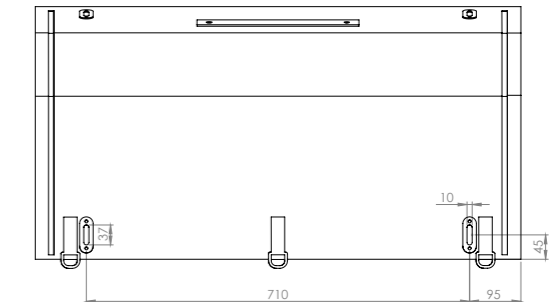
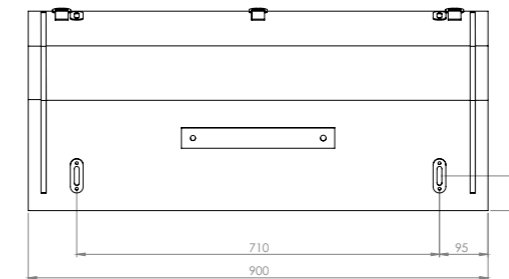


MOON BOX STANDARD 90

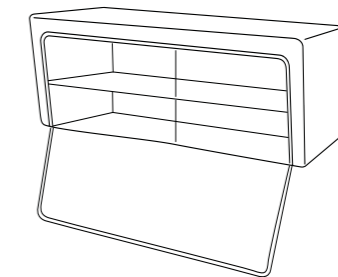
MOON BOX ADVENTURE 90

Box volume: 95 l
 Pocket volume: 23,75 l
 Total volume: 118,75 l
 Weight: 7,16 kg

Box volume: 95 l
 Pocket volume: 23,75 l
 Total volume: 118,75 l
 Weight: 7,62 kg



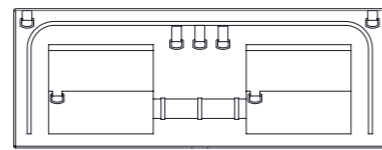
Maximum self load



Compatible car models:

RAM ProMaster (since 2013)
 Fiat Ducato version III (since 2006)
 Citroen Jumper version II (since 2006)
 Peugeot Boxer version II (since 2006)

MoonBox 90 angle 108°

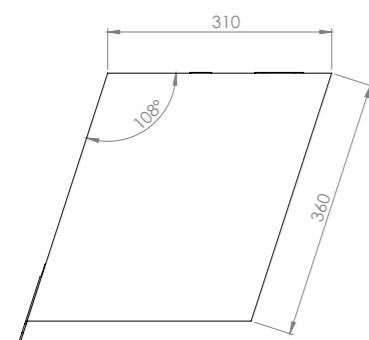
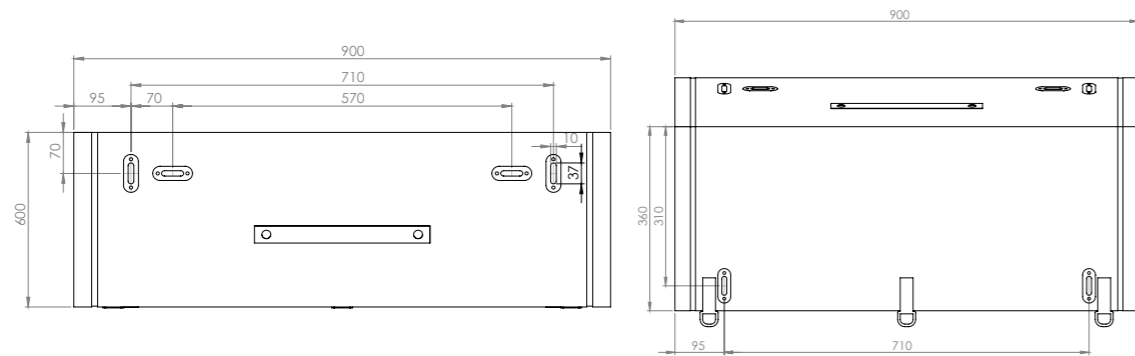


MOON BOX STANDARD 90

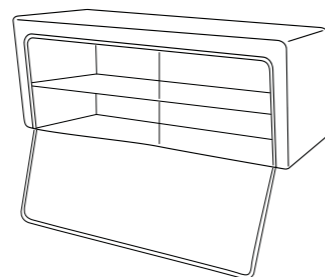
MOON BOX ADVENTURE 90

Box volume: 95 l
 Pocket volume: 23,75 l
 Total volume: 118,75 l
 Weight: 7,13 kg

Box volume: 91 l
 Pocket volume: 22,75 l
 Total volume: 113,75 l
 Weight: 6,7 kg



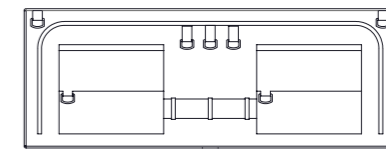
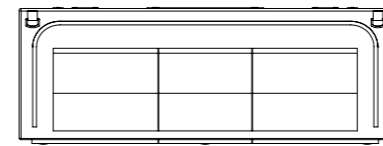
Maximum self load



Compatible car models:

Ford Transit MK8 H2, H3, R/AWD, FWD (since 2013)

MoonBox 90 angle 110°

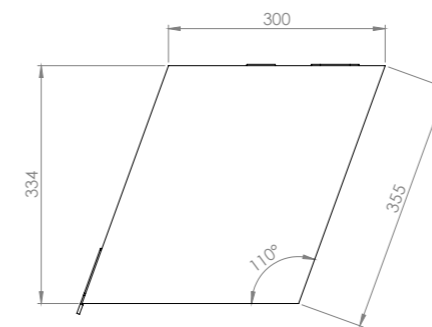
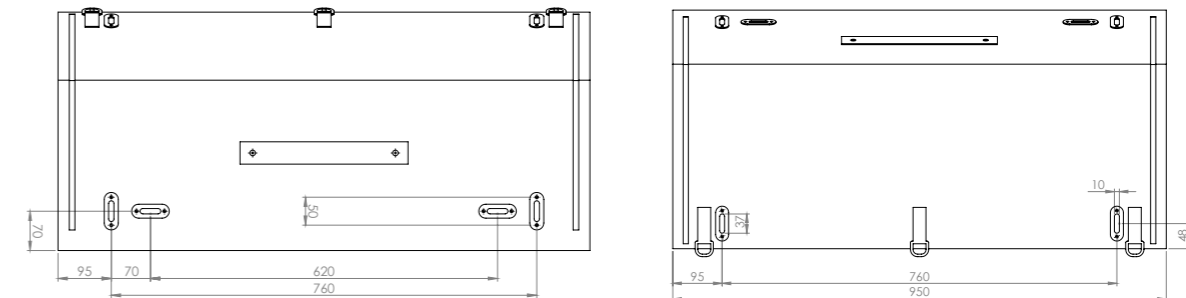


MOON BOX STANDARD 90

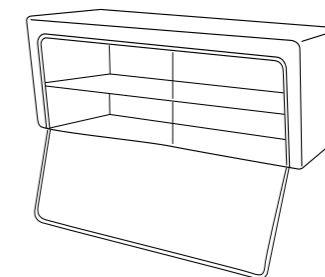
MOON BOX ADVENTURE 90

Box volume: 91 l
 Pocket volume: 22,75 l
 Total volume: 113,75 l
 Weight: 6,9 kg

Box volume: 91 l
 Pocket volume: 22,75 l
 Total volume: 113,75 l
 Weight: 6,7 kg



Maximum self load



Compatible car models:

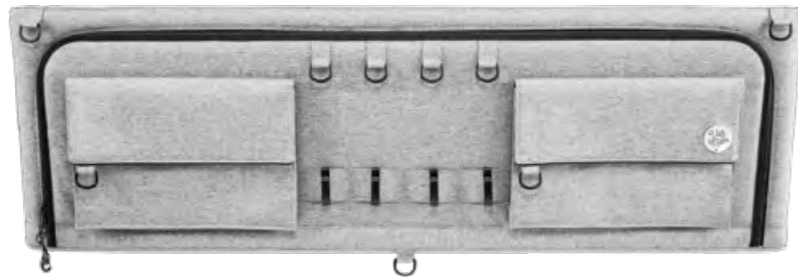
- Mercedes Sprinter 901
- Mercedes Sprinter 902
- Mercedes Sprinter 904 (until 2006)
- Mercedes Sprinter 906
- Mercedes Sprinter 907
- Volkswagen Crafter (2007-2016)
- Volkswagen LT (since 2016)
- Volkswagen Transporter T5, T6, T6.1 to adapt

MoonBox 115

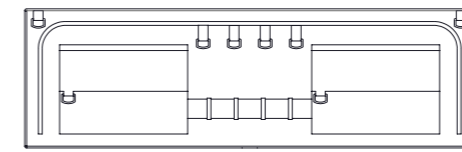
Standard



Adventure

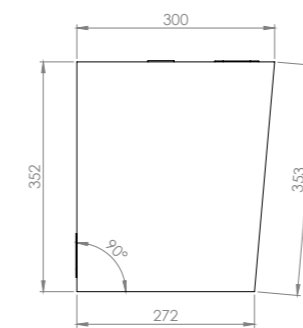
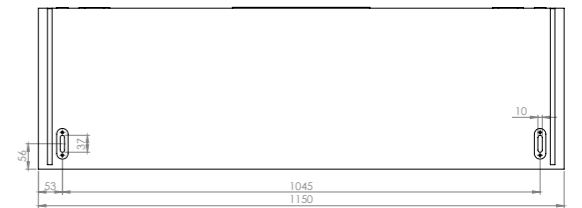
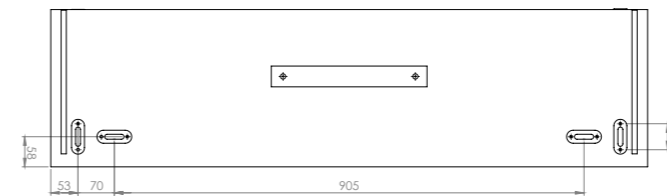


MoonBox 115 angle 90°

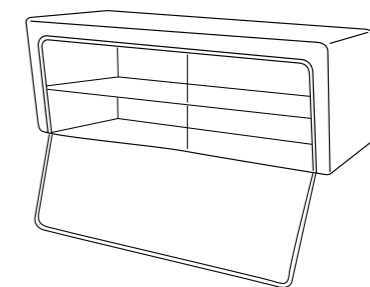


MOON BOX ADVENTURE 115

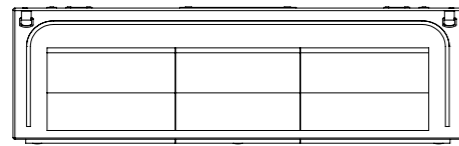
Box volume: 116 l
Pocket volume: 29 l
Total volume: 145 l
Weight: 8,45 kg



Maximum self load

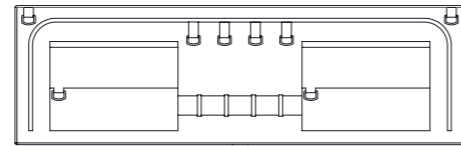


MoonBox 115 angle 100°



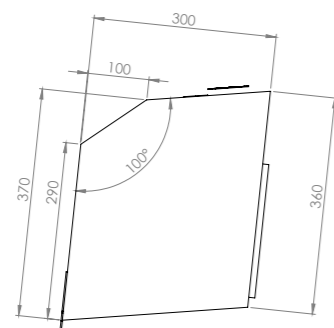
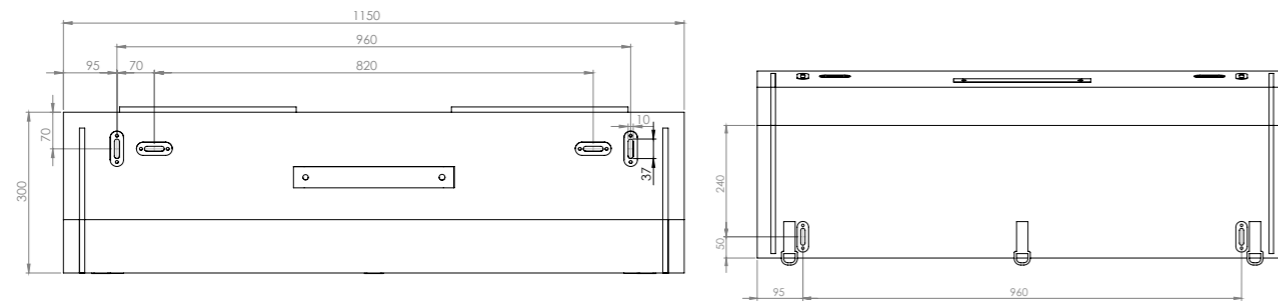
MOON BOX STANDARD 115

Box volume: 116 l
 Pocket volume: 29 l
 Total volume: 145 l
 Weight: 9,12 kg

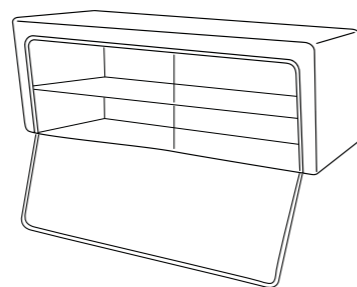


MOON BOX ADVENTURE 115

Box volume: 116 l
 Pocket volume: 29 l
 Total volume: 145 l
 Weight: 8,75 kg



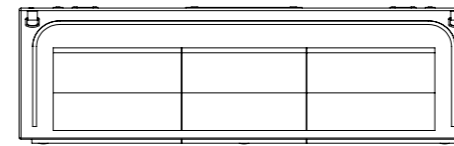
Maximum self load



Compatible car models:

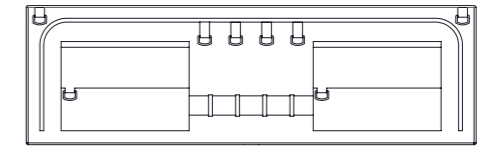
MAN TGE since 2017
 Volkswagen Crafter ver II since 2016, H2, H3

MoonBox 115 angle 103°



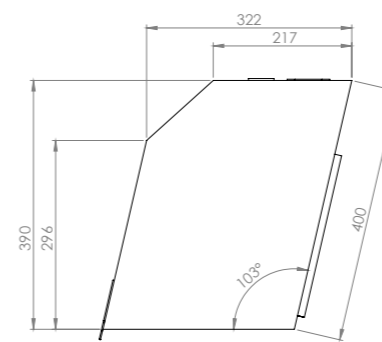
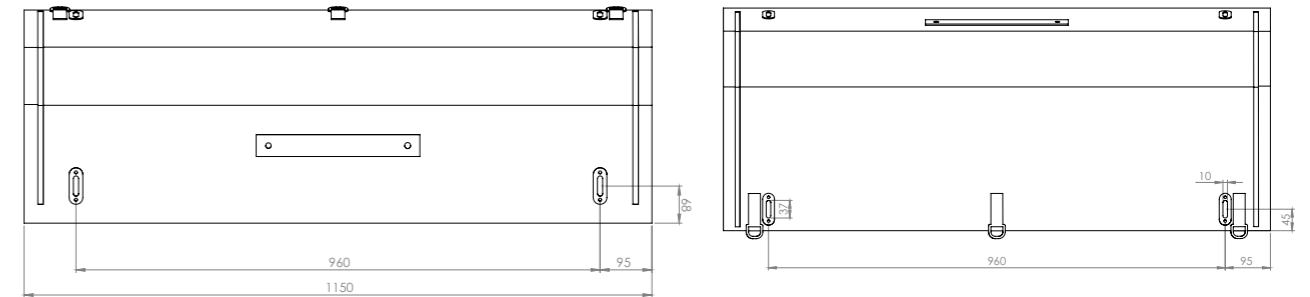
MOON BOX STANDARD 115

Box volume: 122 l
 Pocket volume: 30,5 l
 Total volume: 152,5 l
 Weight: 9,12 kg

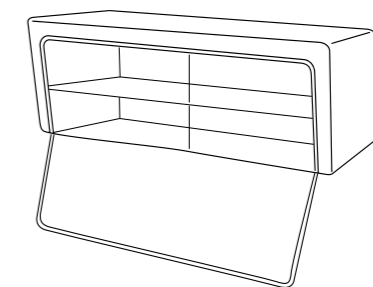


MOON BOX ADVENTURE 115

Box volume: 122 l
 Pocket volume: 30,5 l
 Total volume: 152,5 l
 Weight: 9,55 kg



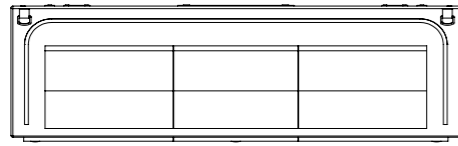
Maximum self load



Compatible car models:

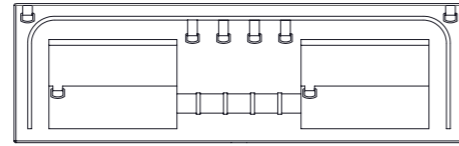
RAM ProMaster (since 2013)
 Fiat Ducato version III (since 2006)
 Citroen Jumper version II (since 2006)
 Peugeot Boxer version II (since 2006)

MoonBox 115 angle 108°



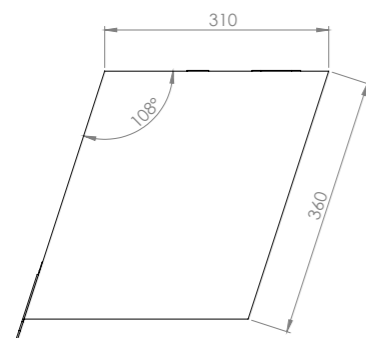
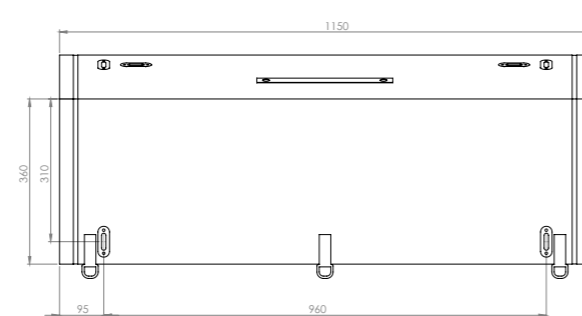
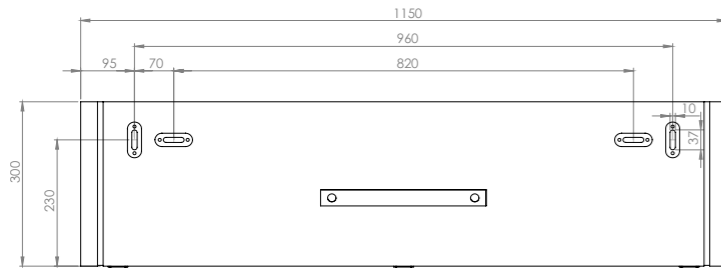
MOON BOX STANDARD 115

Box volume: 122 l
 Pocket volume: 30,5 l
 Total volume: 152,5 l
 Weight: 9,22 kg

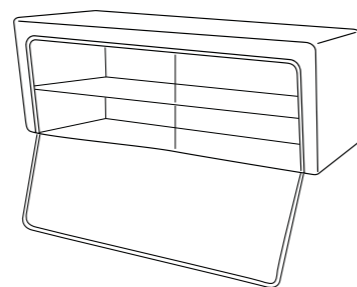


MOON BOX ADVENTURE 115

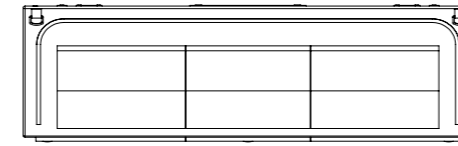
Box volume: 122 l
 Pocket volume: 30,5 l
 Total volume: 152,5 l
 Weight: 8,63 kg



Maximum self load

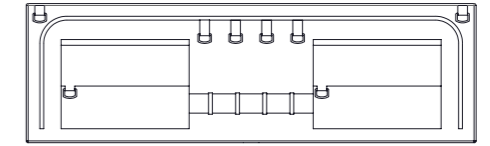


MoonBox 115 angle 110°



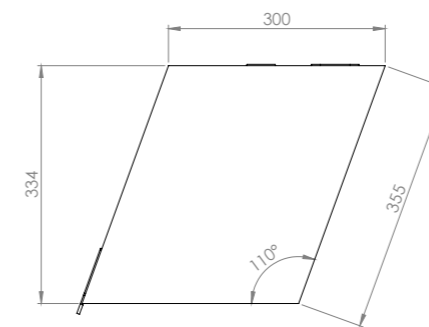
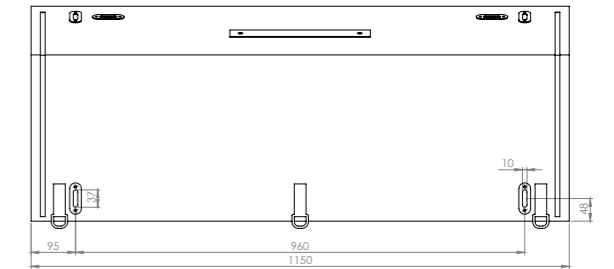
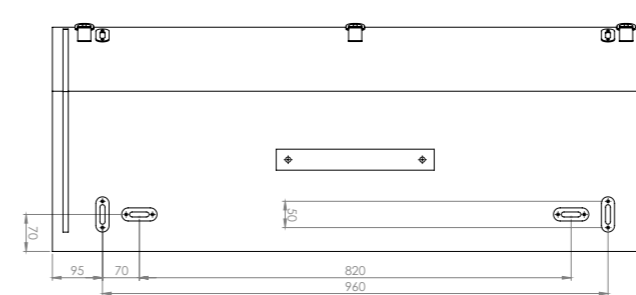
MOON BOX STANDARD 115

Box volume: 116 l
 Pocket volume: 29 l
 Total volume: 145 l
 Weight: 9,12 kg

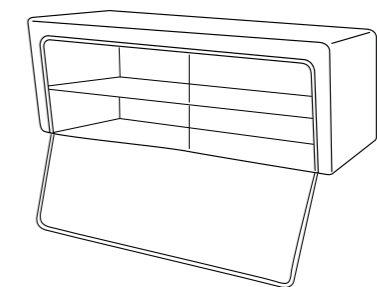


MOON BOX ADVENTURE 115

Box volume: 116 l
 Pocket volume: 29 l
 Total volume: 145 l
 Weight: 8,53 kg



Maximum self load



Compatible car models:

- RAM ProMaster (since 2013)
- Fiat Ducato version III (since 2006)
- Citroen Jumper version II (since 2006)
- Peugeot Boxer version II (since 2006)



Moon Box will **not get wet** and you can **clean** it easily.

Moon Box is trimmed with a durable technical fabric. The inner side of the fabric is laminated with a special coating, thanks to which the Moon Box is waterproof and vapour-proof. The dense and tight weave makes the fabric light and very durable at the same time.



Soft and **cuddly**.

Meet the softest of „hard“ furniture for your Van. We covered 98% of the surface of the MoonBox with a special cushioning sponge. Now Moon Box is soft, safe for your head and very elegant.



Top quality.

One Moon Box is 417 elements that fit together. We need three workers and 16 hours of manual work to make it. Before it is shipped to you, it undergoes rigorous quality tests. All components come from EU suppliers



Armored? Almost!

Moon Box is made of high-quality aluminum and special chamber plates. Everything is bonded with an adhesive of unprecedented strength. We cut out, bend and knead the structural element with an accuracy of 0.1 mm. It is much more than enough. But that's why the Moon Boxes are so solid.



MOONBOX

Super durable. Ultra light.



Information regarding use



Cleaning

Handwash. Rinse the soiled area thoroughly with clean water and wipe it with a sponge gently using a mild detergent. Do not use bleach, iron or heat drying. The product is not machine washable. Before cleaning, remove all elements from the inside of the Moon Box along with the shelf. Metal parts should be dry cleaned.



Composition

poliester 100%, coating PVC-FLAT, aluminium, polypropylene plate



Transport and storage

The products are packed in cardboard outer packaging.
During transport, they should be placed horizontally or vertically.
Must be transported in the original packaging.



Disposal of the packaging

The packaging is made of recyclable cardboard, so it should not be thrown away, but stored in a landfill in waste paper bins or special containers for cardboard packaging.



Precautions

Please make sure you have read and understood the instructions before using the Moon Box.

After installation, it is recommended to check the mounting of the Moon Box by pulling the entire structure firmly.

Do not leave the Moon Box in direct sunlight - it may cause fading of the material. This does not change the mechanical properties of the material.

Do not use open fire near the Moon Box.

Protect against moisture.

Do not load the Moon Box beyond the recommended maximum weight.

Do not use any sharp objects such as knives, screwdrivers, etc. to remove the outer packaging.

