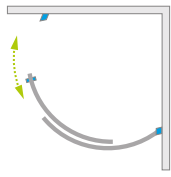


Premium Plus B



Profile finish:

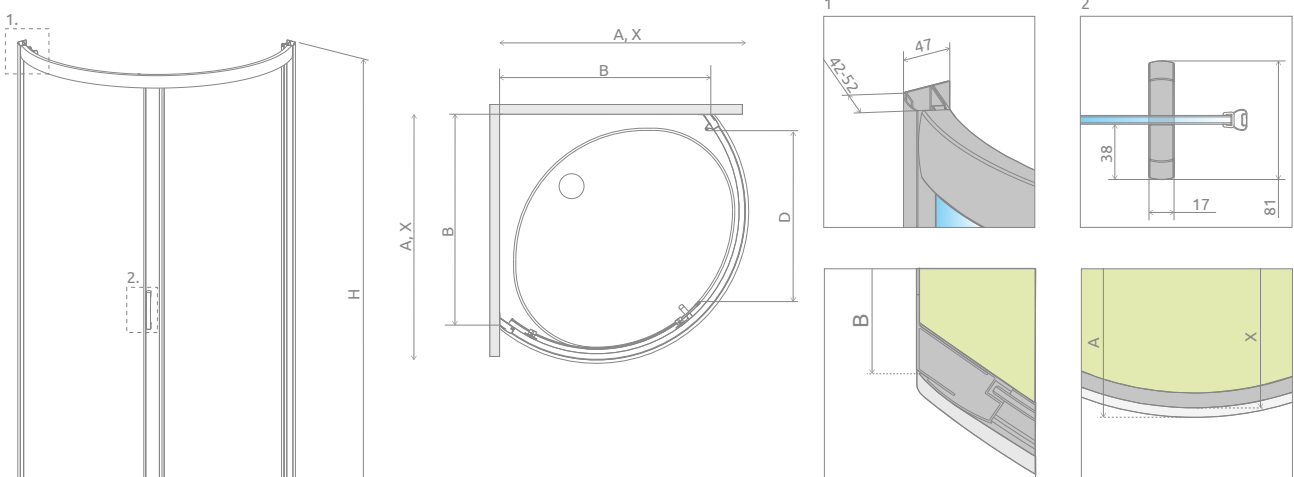


01 Chrome

Premium Plus B + Patmos B

A universal shower enclosure that can be assembled as a left-hand or right-hand version.

Model	TRANSPARENT GLASS Art. No.	GRAPHITE GLASS Art. No.	FABRIC GLASS Art. No.
B 90×90	30473-01-01N	30473-01-05N	30473-01-06N



Model	A	X	B	D	H
B 90×90	900	895-905	765-775	615	1900