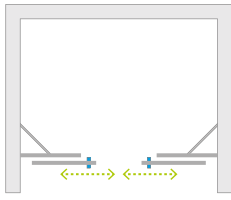


Furo DWD

Other colour versions of products from the series can be found on p. 112



Profile finish:

Glossy:

01 Chrome

09 Gold

Matte:

54 Black

Brushed:

91 Nickel

99 Gold

98 Light Gold

92 GunMetal

93 Copper

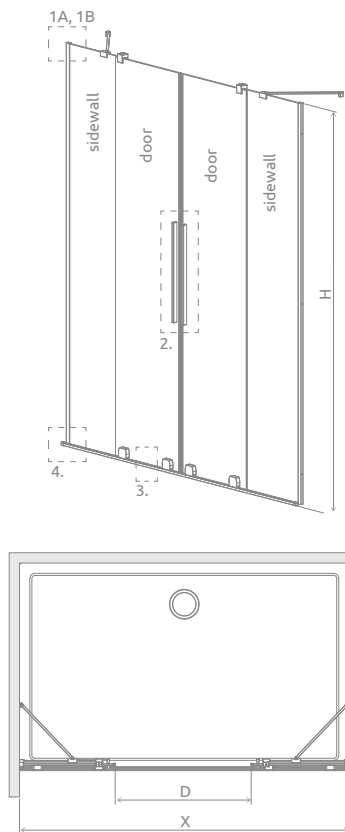


Shower enclosure set consists of 2 parts: set of doors and set of front walls.

In the article number, the symbol **XX** should be replaced with the symbol of the selected colour.

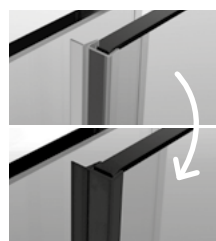
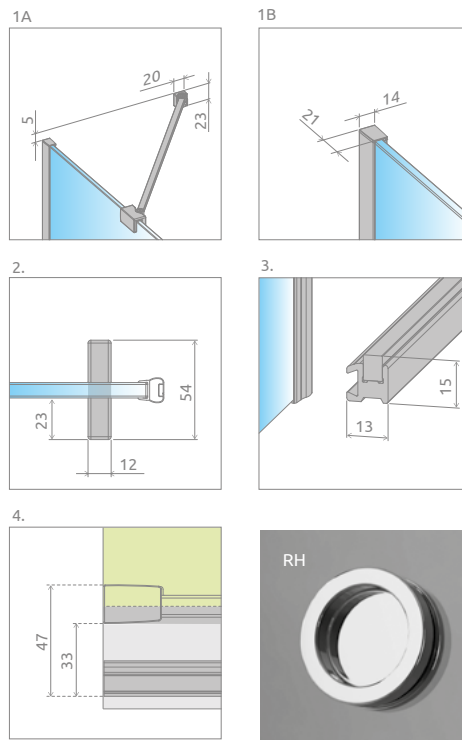
Model	Element	TRANSPARENT GLASS Art. No.
DWD 130	DWD door 363	10108363- XX -01
	Walls 317	10111317-01-01
DWD 140	DWD door 388	10108388- XX -01
	Walls 342	10111342-01-01
DWD 150	DWD door 413	10108413- XX -01
	Walls 367	10111367-01-01
DWD 160	DWD door 438	10108438- XX -01
	Walls 392	10111392-01-01
DWD 180	DWD door 488	10108488- XX -01
	Walls 442	10111442-01-01
DWD 200	DWD door 538	10108538- XX -01
	Walls 492	10111492-01-01

TECHNICAL DRAWINGS



When installed on a shower tray – the minimum width of the edge of the shower tray is 43 mm, and its slope max 1 mm.

Model	X	D	H
DWD 130	1290-1310	518	2000
DWD 140	1390-1410	568	2000
DWD 150	1490-1510	618	2000
DWD 160	1590-1610	668	2000
DWD 180	1790-1810	768	2000
DWD 200	1990-2010	868	2000



It is possible to extend the entrance by 60 mm by replacing the vertical handle with a round one ¹⁾. Please contact the Department of Non-standard Shower Enclosures



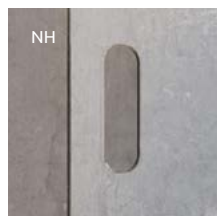
It is possible to make the product with a railing handle which also functions as a towel hanger.

There is a possibility of a paid replacement of transparent gaskets for black gaskets:
 – option no.1 – only magnetic gaskets,
 – option no. 2 – all gaskets (magnetic, vertical and horizontal).
 The selected option must be clearly stated in the order.

ADDITIONAL OPTIONS

MADE TO MEASURE p. 7	GLASS VARIANTS p. 11	STABILIZER L p. 13	WIDER ENTRANCE p. 15	EXCHANGE OF HANDLE FOR A HOLE CUT IN GLASS p. 15	REPLACING THE HANDLE FOR A RAILING HANDLE p. 15	MAXIMUM HEIGHT p. 16	GASKETS COLOUR EXCHANGE p. 17	PRINT/ENGRAVING ON GLASS p. 24/28

RECOMMENDED SHOWER TRAYS



Possibility of replacing the standard handle with a 35x120 mm hole cut in the glass pane.

¹⁾ only chrome and black colour
 Dimensions are given in mm.